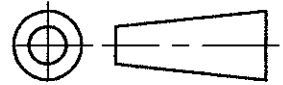


DO NOT SCALE

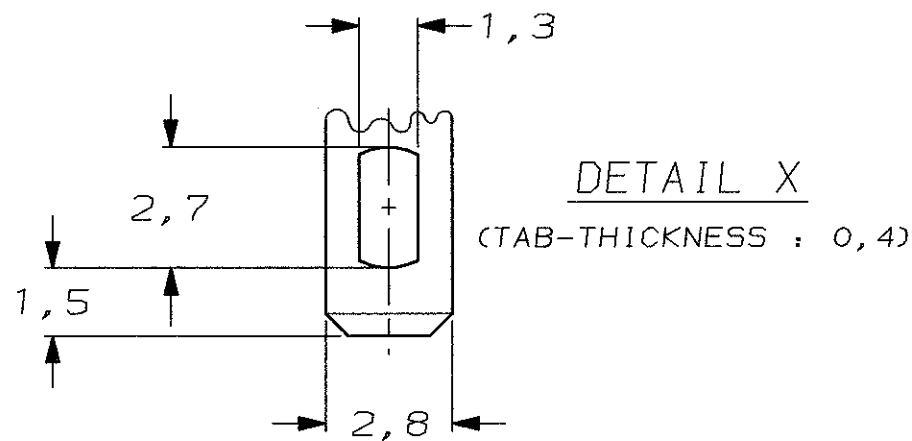
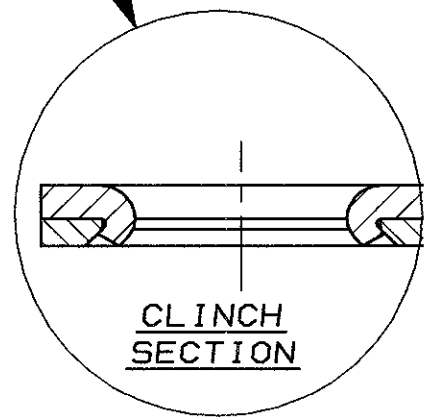
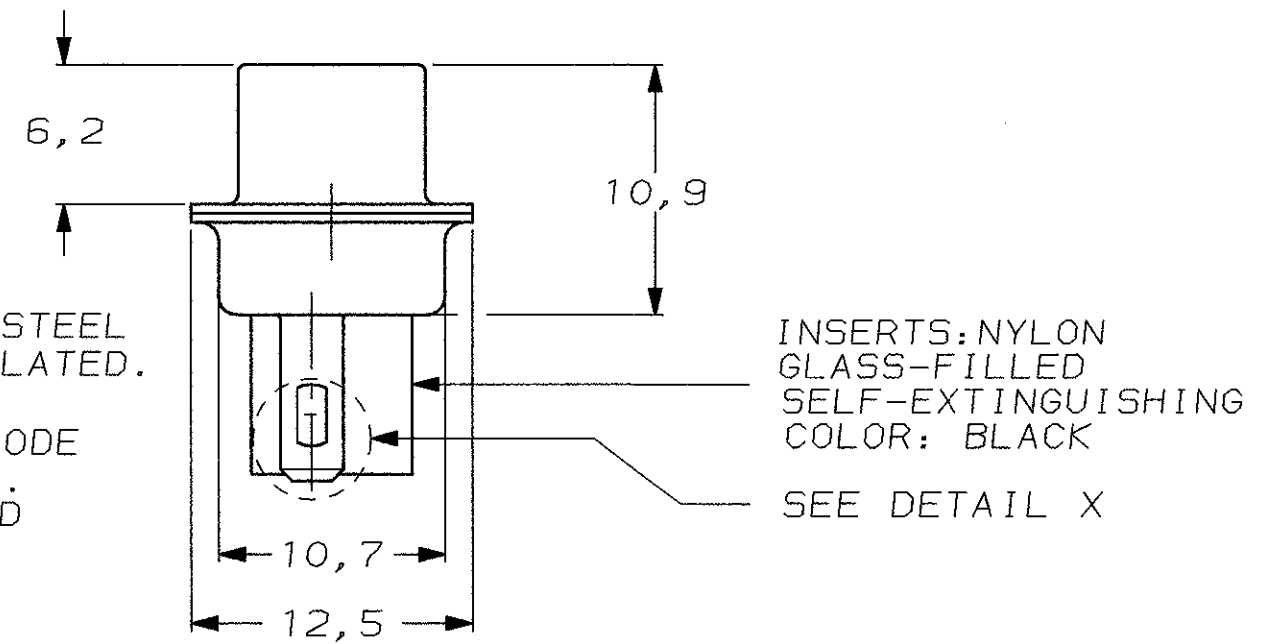
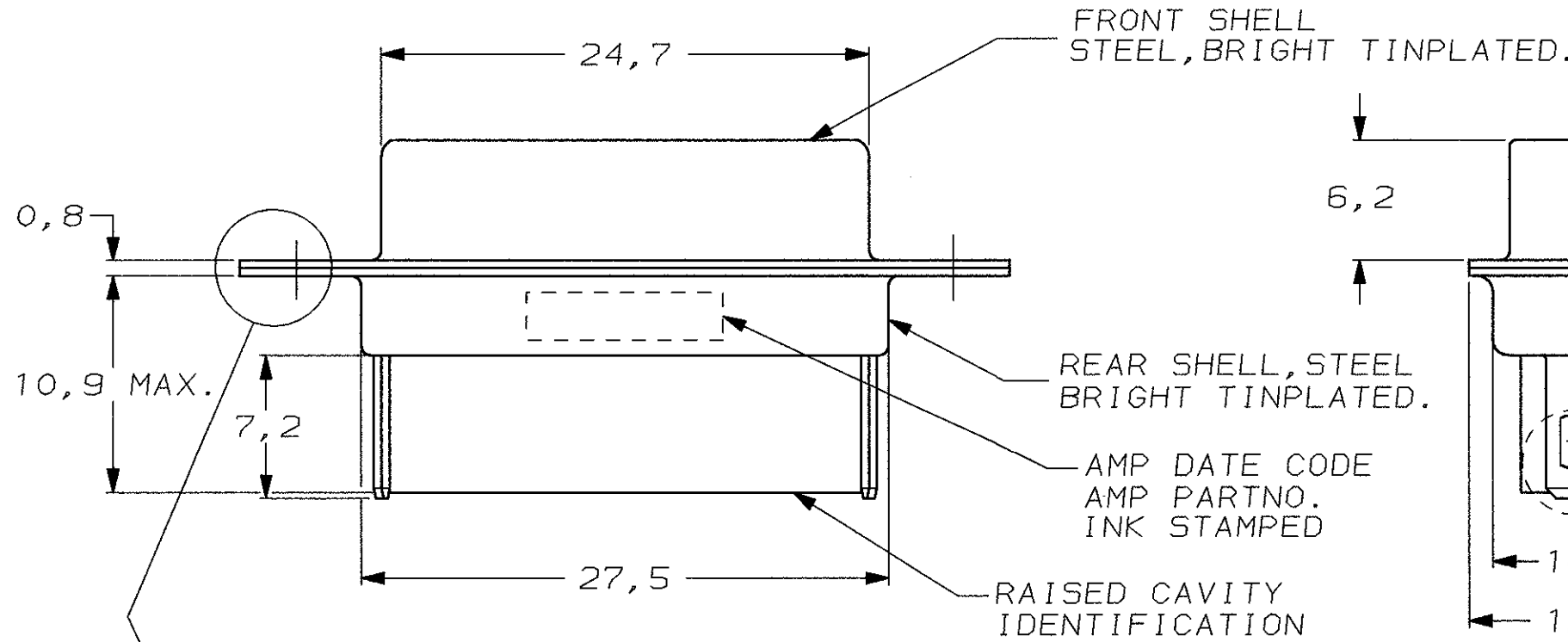
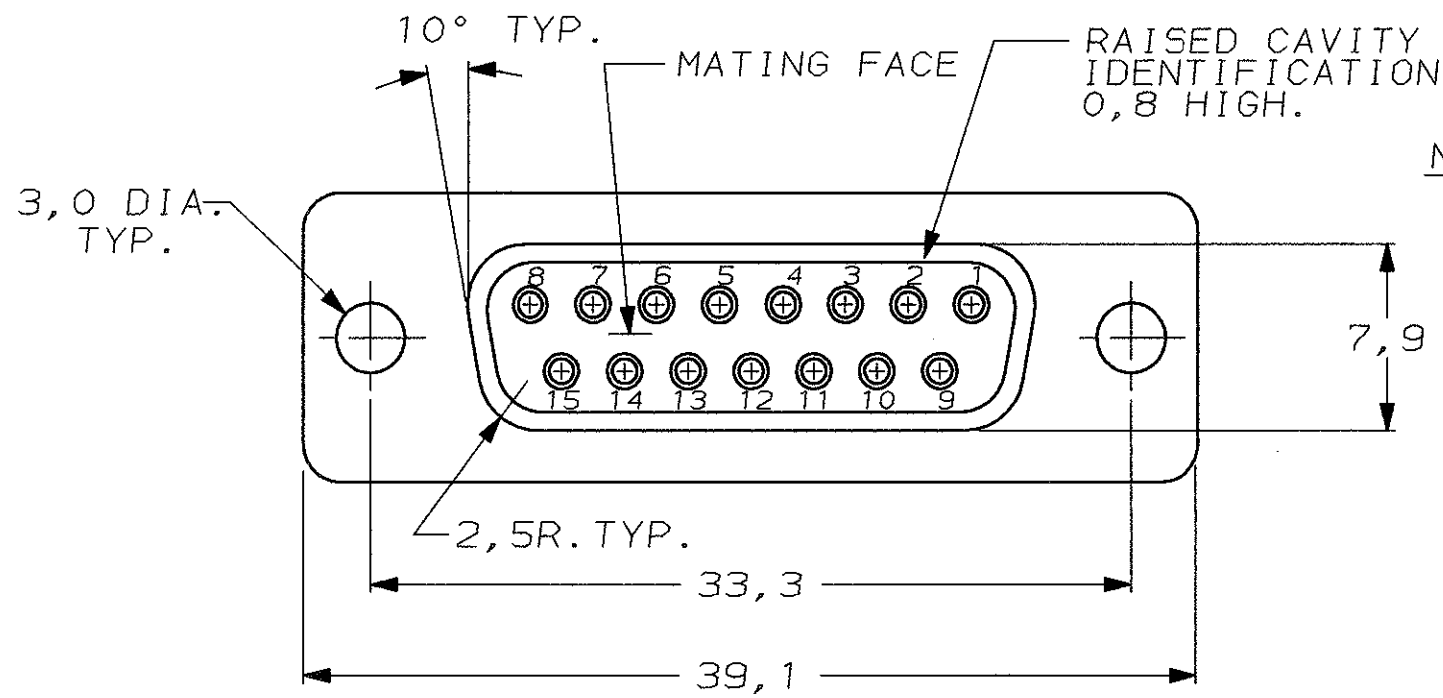
DIMENSIONS IN mm

METRIC

THIRD ANGLE
PROJECTION



- NOTES: 1 THIS RECEPTACLE ACCEPTS SIZE 20 REC. CONTACTS.
 2 MAXIMUM WIRE INSULATION RECOMMENDED FOR USE WITH THIS RECEPTACLE IS 1,73 DIA. MAX..
 3 RETENTION TINES ARE AN INTEGRAL PART OF INSERT.
 4 FOLLOWING INSERTION/REMOVAL TOOLS ARE RECOMMENDED FOR USE WITH THESE CONNECTORS:
- | | |
|---------------------------|---------------------------|
| 32-28AWG/28-24AWG CONT'S | 24-20AWG CONTACTS |
| 91067-3 INSERTION/REMOVAL | 91067-2 INSERTION/REMOVAL |
| 726363-1 INSERTION ONLY | 726363-1 INSERTION ONLY |
| | 726364-1 REMOVAL ONLY |



		SEE DRAWING	SEE DRAWING		
		FINISH	MATERIAL	PARTNUMBER	
-	-	-	-	CUSTOMER DRAWING FOR REFERENCE ONLY WILL NOT BE UPDATED	
-	-	-	-	© COPYRIGHT 19- BY AMP HOLLAND B.V. ALL INTERNATIONAL RIGHTS RESERVED. AMP PRODUCTS MAY BE COVERED BY U.S. AND FOREIGN AND/OR PATENTS PENDING.	
-	-	-	-	THIS DRAWING IS UNPUBLISHED RELEASED FOR PUBLICATION _____, 19____	
-	-	-	-	AMP HOLLAND B.V. 's-Hertogenbosch, The Netherlands.	
B	EH-0334-96	RI.V	R.F.	05 MAR 96	NAME HDP-20 REC. CONNECTOR SIZE 2. (15 POSITION) WITH SOLDER TABS
LTR.	REVISION RECORD	DR.	CHK.	DATE	
DR.:	L.V.D.HEIJDEN	CHK.:	C.V.TILBURG.	APP.:	L.V.SOEST.
DATE:	29.06.87	DATE:	07-07-87	DATE:	28-07-87
		DWG.No.		C-215716	REV.LTR. B
		SHEET		1 OF 1	A3